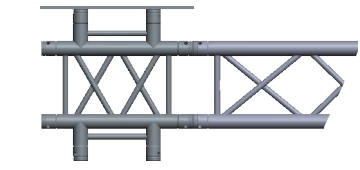


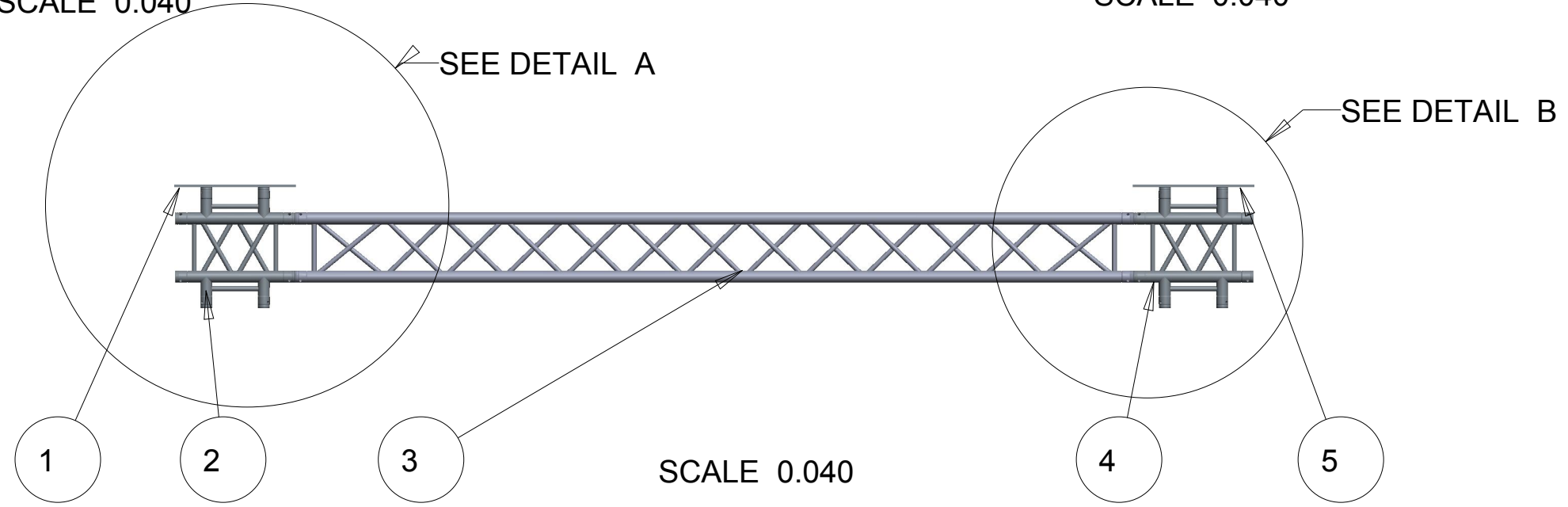
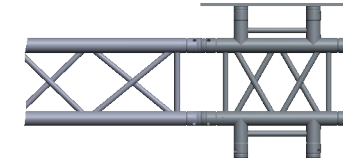
MODEL NAME  
TOW\_CUBE\_TOP\_STB

TITLE

DETAIL A  
SCALE 0.040



DETAIL B  
SCALE 0.040



BILL OF MATERIAL		
1	BASE_PLATE	
2	4WAYCROSS	
3	3_5	
4	4WAYCROSS	
5	BASE_PLATE	

		DRAWN BY	DATE
		CHECKED BY	DATE
		APPROVED BY	DATE
THIS DOCUMENT IS SUPPLIED IN CONFIDENCE. NO REPRODUCTION OF THIS DOCUMENT IN PART OR IN WHOLE OR THEREON OF THE ITEMS SHOWN MAY BE MADE WITHOUT THE COPYRIGHT OWNERS WRITTEN PERMISSION		SCALE 0.006	SHEET 1 OF 1

UNLESS OTHERWISE SPECIFIED ALL DIMENSIONS ARE IN INCHES. TOLERANCES ARE: X.X +/- 0.1 X.XX +/- 0.01 X.XXX +/- 0.001 ANG +/- 1°	TITLE		
	PROJECT	MODEL NAME TOW_CUBE_TOP_STB	ISSUE

DO NOT SCALE

TOW\_CUBE\_TOP\_STB